

### MATERIAL:

CHOOSE YOUR COLOR:

KYNAR FINISH

TYPE CUSTOM COLOR:

KYNAR FINISH

#### Available Gauges Below:

24 GA. GALVALUME	.040 ALUMINUM ③	.063 ALUMINUM ③
22 GA. GALVALUME ③	.050 ALUMINUM ③	

TYPE QUANTITY:

LINEAR FT (10'-0" LENGTHS)

### AUTHORIZED SIGNATURE:

APPROVED BY:

DATE:

CERTIFICATIONS:



**ES1 TESTED & CERTIFIED**

.040" Aluminum = 90 PSF  
24 GA Steel = 75 PSF

### NOTES:

- ① INCLUDES 12" SEGMENTED CHAIR CLEATS, 16GA. GALV. INSTALL CLEAT 40" O.C. (3 PER 10-0" COPING). 6 FASTENERS PER EA. CLEAT, 2 ON THE INSIDE & 4 ON THE OUTSIDE.
- ② MAXIMUM TESTED INSIDE FACE IS 6"
- ③ MINIMUM QUANTITY ON CERTAIN ITEMS.
- ④ WALL SIZE INCLUDES THE MEMBRANE FLASHING THICKNESS, ENGLERT WILL ADD THE 1/2" TO YOUR WIDTH. PLEASE DON'T INCLUDE.

### ACCESSORY QUANTITIES:

IMAGES ARE ON 2ND PAGE

OUTSIDE MITER CORNER	RIGHT ENDWALL (COPING)
INSIDE MITER CORNER	LEFT ENDWALL (COPING)
RIGHT END CAP	RIGHT ENDWALL (SPLICE)
LEFT END CAP	LEFT ENDWALL (SPLICE)
TAPE SEALANT (40' ROLLS)	

\*\*All Englert accessories will be assembled using rivets.

\*\*We do not offer welded accessories. Welding painted material will void your 40 year finish warranty.

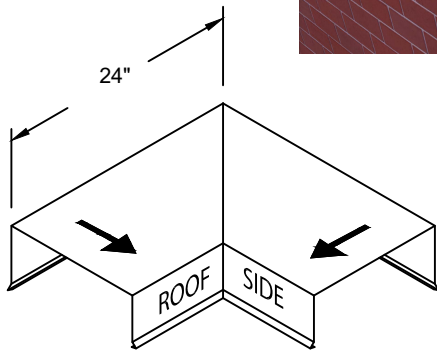
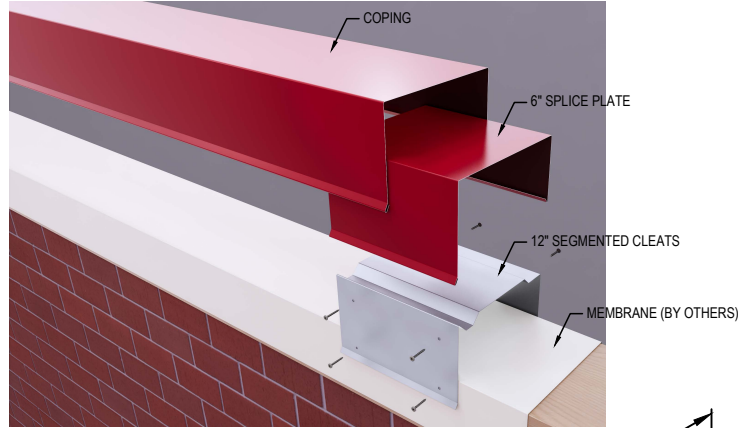
PROJECT:

ADDRESS:

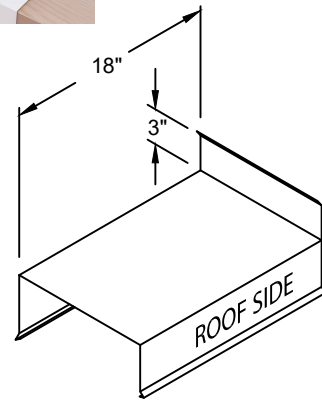
ARCHITECT:

CONTRACTOR/DISTRIBUTOR:

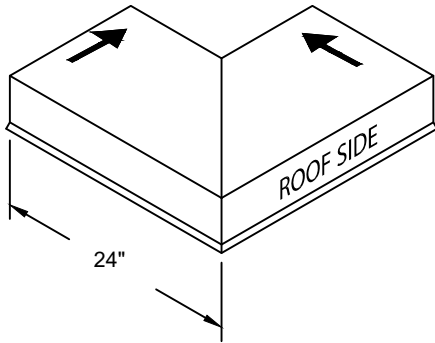
NOTES:



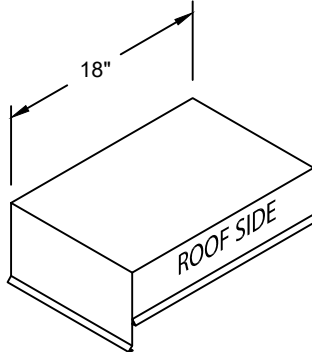
OUTSIDE CORNER



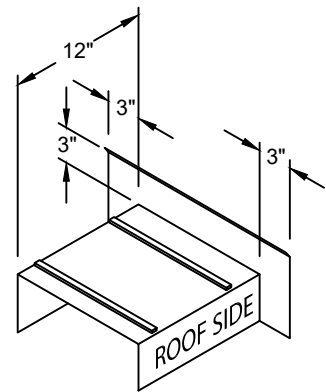
ENDCAP (RIGHT SHOWN)



INSIDE CORNER



ENDCAP (LEFT SHOWN)



ENDWALL SPLICE (RIGHT SHOWN)

ADDITIONAL ACCESSORIES ARE AVAILABLE AT ENGLERT

**\*\*Please attach sketches or call us for assistance\*\***